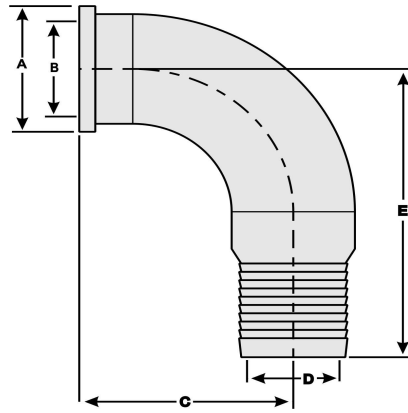


C61S 90S TO HB



SHORT C61 O-RING SEALED ADAPTER TO SHORT RADIUS 90° ELBOW TO HOSE BARB

SAE Split Flange Head to Barb								
Part Number	Port Size	Dimensions IN					Lbs	Split Flange Kit (sold separately)
		A	B	C	D	E		
SAE C61								
20C61S-90S-20HB	1 1/4"	2.00	1.25	2.00	1.05	3.25	0.9	SF20
20C61S-90S-24HB	1 1/4"	2.00	1.25	2.00	1.29	3.13	1.0	SF20
24C61S-90S-20HB	1 1/2"	2.38	1.50	2.50	1.05	4.16	1.4	SF24
24C61S-90S-24HB	1 1/2"	2.38	1.50	2.50	1.29	4.16	1.4	SF24
24C61S-90S-32HB	1 1/2"	2.38	1.50	2.50	1.75	5.52	1.8	SF24
32C61S-90S-24HB	2"	2.81	2.00	2.88	1.29	5.18	2.2	SF32
32C61S-90S-32HB	2"	2.81	2.00	2.88	1.75	5.18	2.2	SF32
32C61S-90S-40HB	2"	2.81	2.00	2.88	2.25	6.85	3.1	SF32
32C61S-90S-48HB	2"	2.81	2.00	2.88	2.66	6.85	4.0	SF32
40C61S-90S-32HB	2 1/2"	3.38	2.50	3.50	1.75	5.87	3.8	SF40
40C61S-90S-40HB	2 1/2"	3.38	2.50	3.50	2.25	6.09	3.9	SF40
40C61S-90S-48HB	2 1/2"	3.38	2.50	3.50	2.66	6.96	4.4	SF40
48C61S-90S-32HB	3"	4.00	3.00	4.38	1.75	7.07	5.4	SF48
48C61S-90S-40HB	3"	4.00	3.00	4.38	2.25	6.77	5.4	SF48
48C61S-90S-48HB	3"	4.00	3.00	4.38	2.66	7.02	5.6	SF48
48C61S-90S-64HB	3"	4.00	3.00	4.38	3.63	8.75	7.3	SF48
64C61S-90S-48HB	4"	5.00	4.00	5.75	2.66	8.60	10.4	SF64
64C61S-90S-64HB	4"	5.00	4.00	5.75	3.63	8.94	11.1	SF64