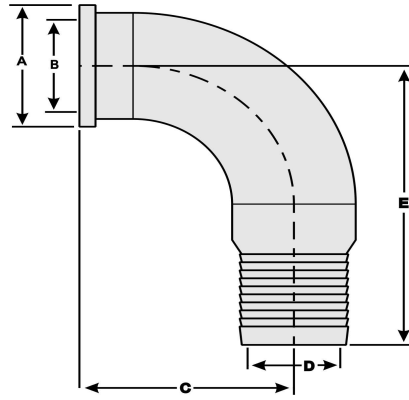


# C61S 90L TO HB



## SHORT C61 O-RING SEALED ADAPTER TO LONG RADIUS 90° ELBOW TO HOSE BARB

SAE Split Flange Head to Barb								
Part Number	Port Size	Dimensions IN					Lbs	Split Flange Kit (sold separately)
		A	B	C	D	E		
SAE C61								
20C61S-90L-20HB	1 1/4"	2.00	1.25	2.63	1.05	3.88	1.0	SF20
20C61S-90L-24HB	1 1/4"	2.00	1.25	2.63	1.29	3.88	1.1	SF20
24C61S-90L-20HB	1 1/2"	2.38	1.50	3.25	1.05	4.91	1.5	SF24
24C61S-90L-24HB	1 1/2"	2.38	1.50	3.25	1.29	4.91	1.5	SF24
24C61S-90L-32HB	1 1/2"	2.38	1.50	3.25	1.75	6.27	2.0	SF24
32C61S-90L-24HB	2"	2.81	2.00	3.88	1.29	6.18	2.3	SF32
32C61S-90L-32HB	2"	2.81	2.00	3.88	1.75	6.18	2.3	SF32
32C61S-90L-40HB	2"	2.81	2.00	3.88	2.25	7.85	3.2	SF32
32C61S-90L-48HB	2"	2.81	2.00	3.88	2.66	7.85	4.1	SF32
40C61S-90L-32HB	2 1/2"	3.38	2.50	4.75	1.75	7.34	2.0	SF40
40C61S-90L-40HB	2 1/2"	3.38	2.50	4.75	2.25	7.34	2.0	SF40
40C61S-90L-48HB	2 1/2"	3.38	2.50	4.75	2.66	8.21	2.5	SF40
48C61S-90L-32HB	3"	4.00	3.00	5.88	1.75	8.57	6.7	SF48
48C61S-90L-40HB	3"	4.00	3.00	5.88	2.25	5.25	6.7	SF48
48C61S-90L-48HB	3"	4.00	3.00	5.88	2.66	8.52	6.9	SF48
48C61S-90L-64HB	3"	4.00	3.00	5.88	3.63	10.25	8.6	SF48
64C61S-90L-48HB	4"	5.00	4.00	7.25	2.66	10.69	12.5	SF64
64C61S-90L-64HB	4"	5.00	4.00	7.75	3.63	10.94	13.2	SF64