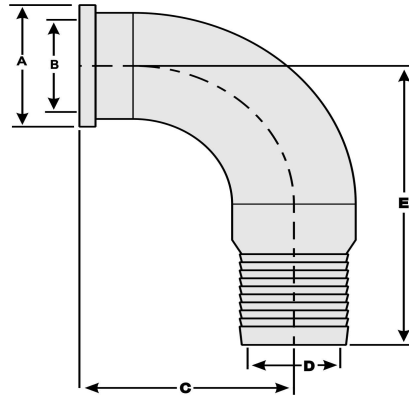


C61 90L TO HB



C61 O-RING SEALED ADAPTER TO LONG RADIUS 90° ELBOW TO HOSE BARB

SAE Split Flange Head to Barb								
Part Number	Port Size	Dimensions IN					Lbs	Split Flange Kit (sold separately)
		A	B	C	D	E		
SAE C61								
20C61-90L-20HB	1 1/4"	2.00	1.25	3.14	1.05	3.88	1.1	SF20
20C61-90L-24HB	1 1/4"	2.00	1.25	3.14	1.29	3.88	1.2	SF20
24C61-90L-20HB	1 1/2"	2.38	1.50	3.50	1.29	4.91	1.6	SF24
24C61-90L-24HB	1 1/2"	2.38	1.50	3.50	1.29	4.91	1.6	SF24
24C61-90L-32HB	1 1/2"	2.38	1.50	3.50	1.75	6.27	2.1	SF24
32C61-90L-24HB	2"	2.81	2.00	4.25	1.75	6.18	2.4	SF32
32C61-90L-32HB	2"	2.81	2.00	4.25	1.75	6.18	2.4	SF32
32C61-90L-40HB	2"	2.81	2.00	4.25	2.25	7.85	3.3	SF32
32C61-90L-48HB	2"	2.81	2.00	4.25	2.66	7.85	4.2	SF32
40C61-90L-32HB	2 1/2"	3.38	2.50	5.50	1.75	7.12	2.0	SF40
40C61-90L-40HB	2 1/2"	3.38	2.50	5.50	2.25	7.34	2.1	SF40
40C61-90L-48HB	2 1/2"	3.38	2.50	5.50	2.66	8.21	2.6	SF40
48C61-90L-32HB	3"	4.00	3.00	6.38	1.75	8.57	6.9	SF48
48C61-90L-40HB	3"	4.00	3.00	6.38	2.25	8.27	6.9	SF48
48C61-90L-48HB	3"	4.00	3.00	6.38	2.66	8.52	7.1	SF48
48C61-90L-64HB	3"	4.00	3.00	6.38	3.63	10.25	8.8	SF48
64C61-90L-48HB	4"	5.00	4.00	7.75	2.66	10.60	12.7	SF64
64C61-90L-64HB	4"	5.00	4.00	7.75	3.63	10.94	13.4	SF64